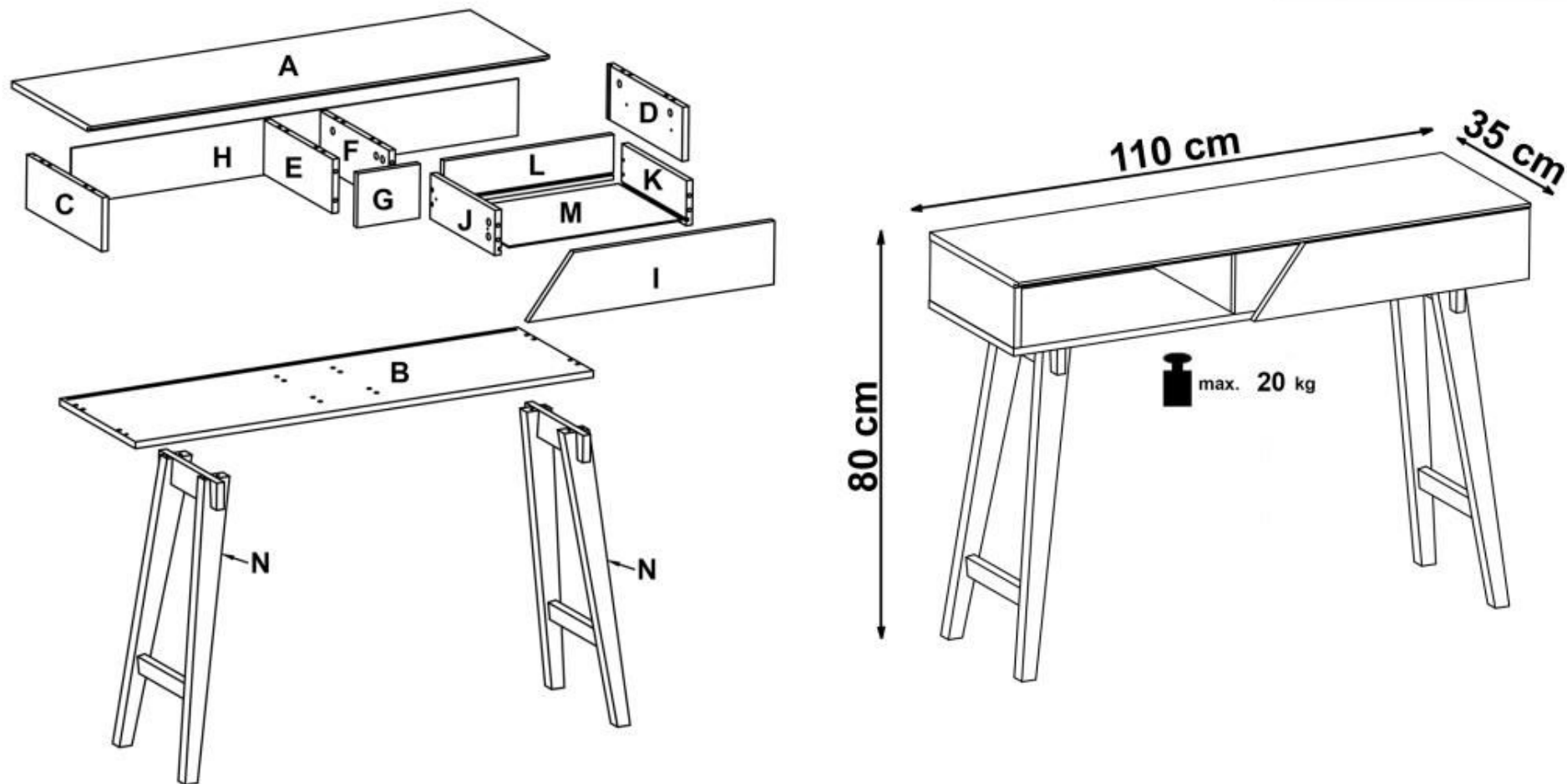
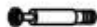















KN-1



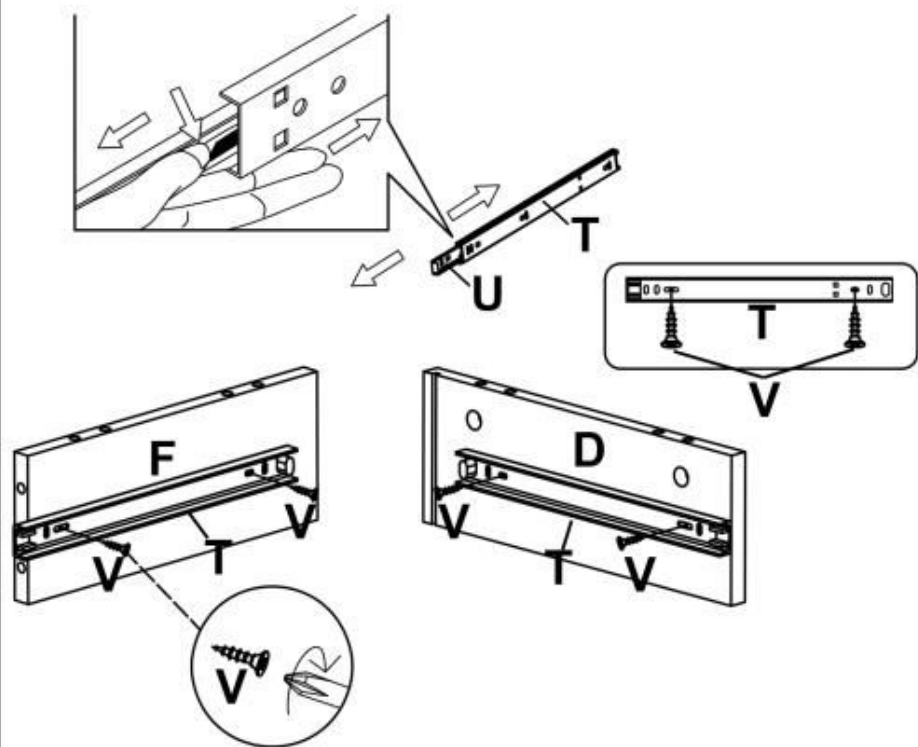
O x16  M6*35mm	P x16  Ø15mm	Q x16  Ø8*30mm	R x8  M6*40mm	S x8  M6*50mm	T x2  285mm	U x2  285mm
V x14  M3.5*14mm	W x4  M4*35mm	X x6  Ø20	Y x4  20*20*2mm	Z x16  M6*12mm	Z1 x4  120*60*3mm	Z2 x6 



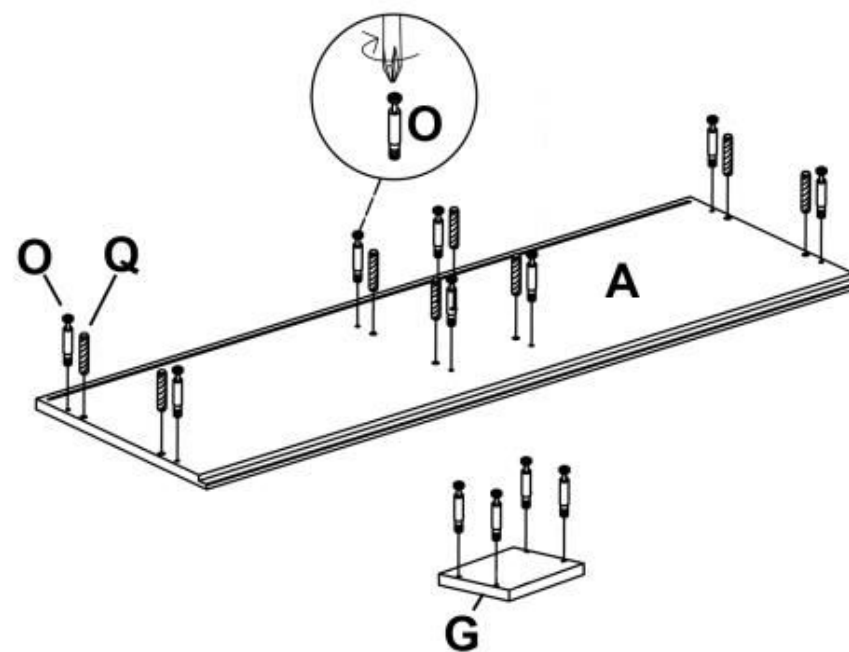
v.1

KN-1

1



2



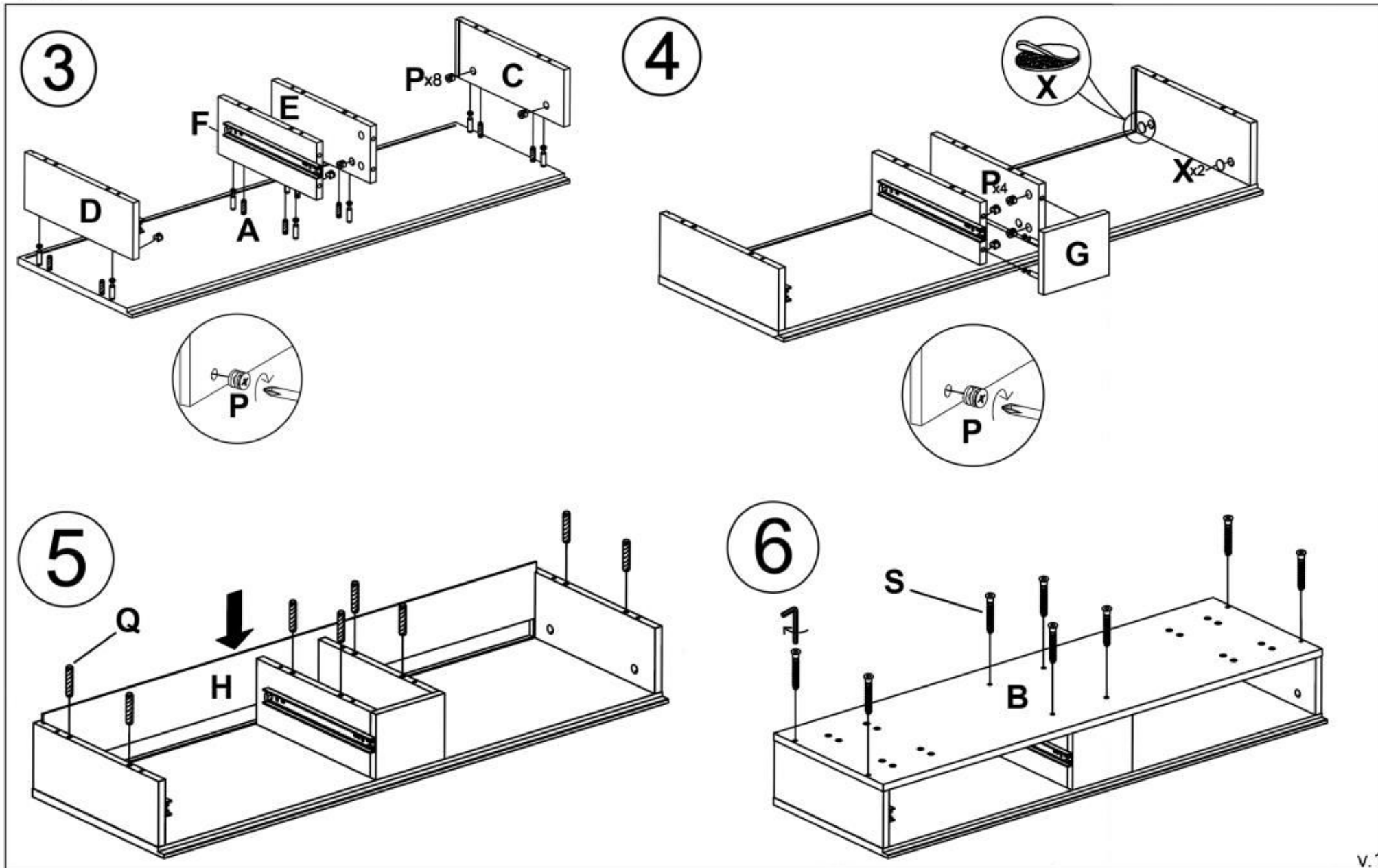
HALMAR Sp. z o.o.

ul. Centralnego Okręgu Przemysłowego 2, 37-450 Stalowa Wola, POLSKA / POLAND
tel. +48 15 843 28 10, fax: +48 15 842 19 57, e-mail: office@halmar.com.pl

v.1

2/4

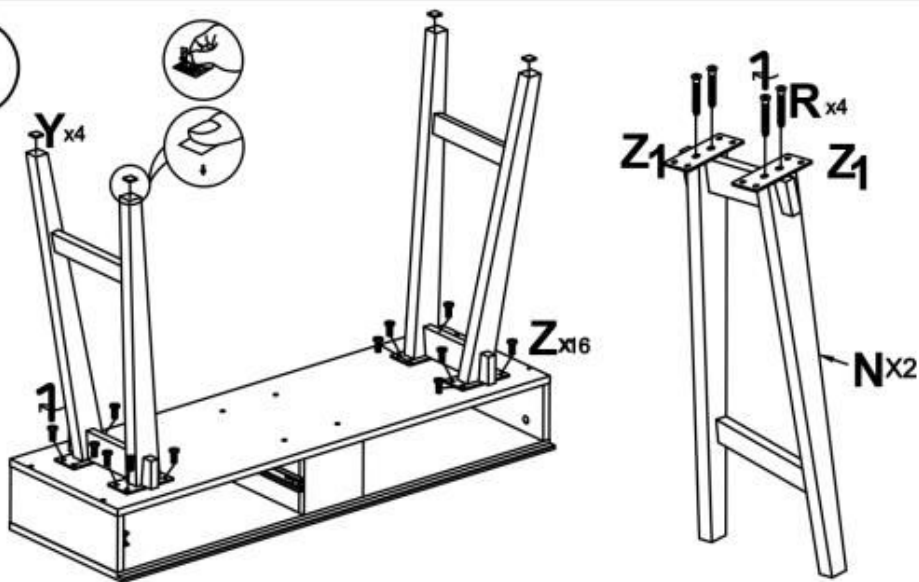
KN-1



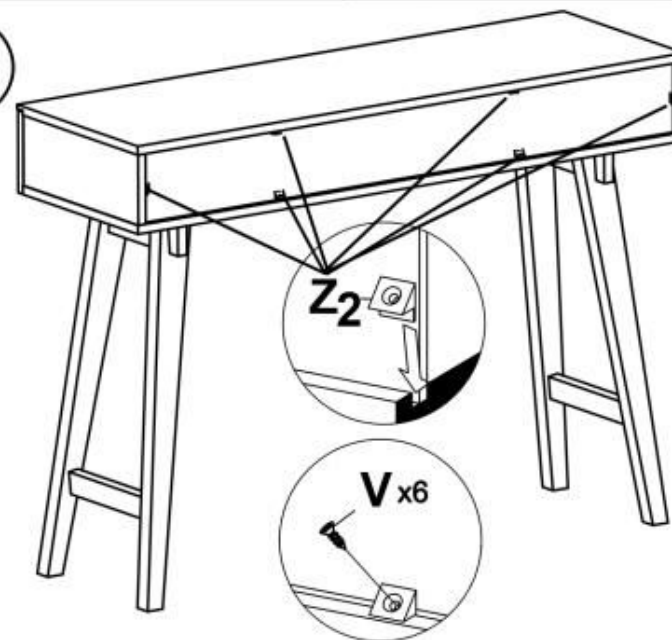
v.1

KN-1

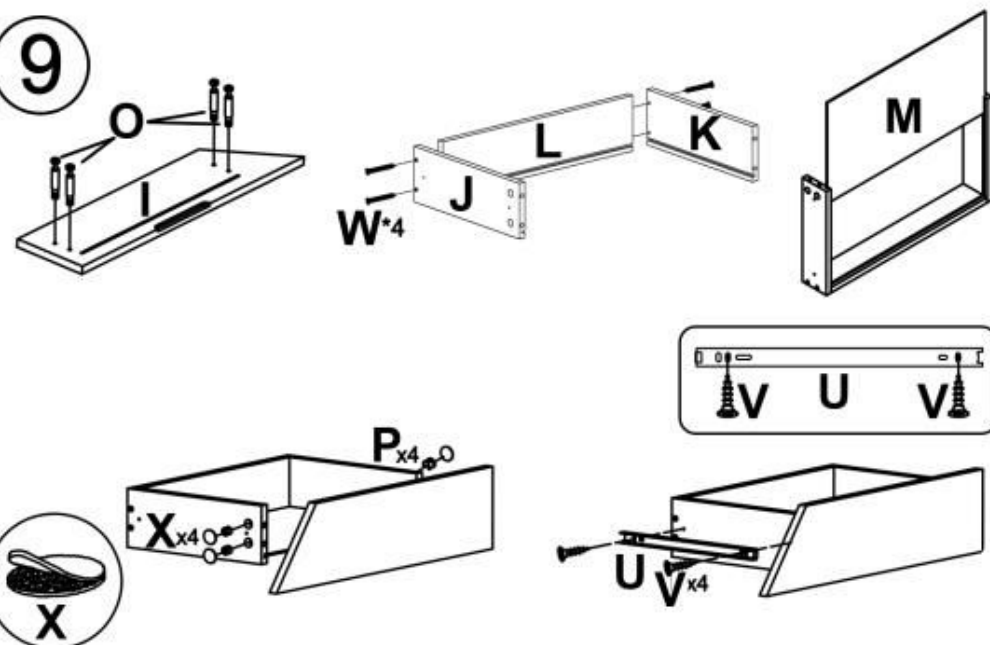
7



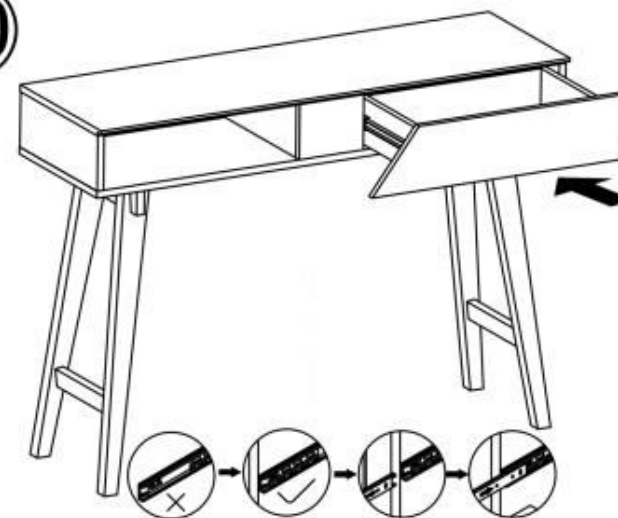
8



9



10



v.1