

## ASSEMBLY INSTRUCTION

### PANCONNECT FLAT 3M, FLAT 4M, FLAT 5M

General description, basic technical data and other information and instructions find in the general document „Technical specifications“, which is, together with the document „User manual“ supplied with all types of interconnection boxes PanConnect.

#### 1 | Assembling

- Adapted for horizontal installation into desks of thickness from 16 to 40 mm
- The corpus is mounted from the lower side of the table desk with mounting clamps with screws

**Step 1:** Cut an opening in the table (the particular size of the opening see below):



Product type	Cut-out dimensions (mm)
FLAT 3M	68 x 184
FLAT 4M	68 x 242
FLAT 5M	68 x 300

**Step 2:** Carefully insert the interconnection box into the prepared opening and check if it fits.

**Step 3:** Take the mounting brackets under the table and insert them into openings on both sides of the unit.

**Step 4:** Secure them by M3x6 screws, and screw the unit up slightly against the board by screws M6x40.

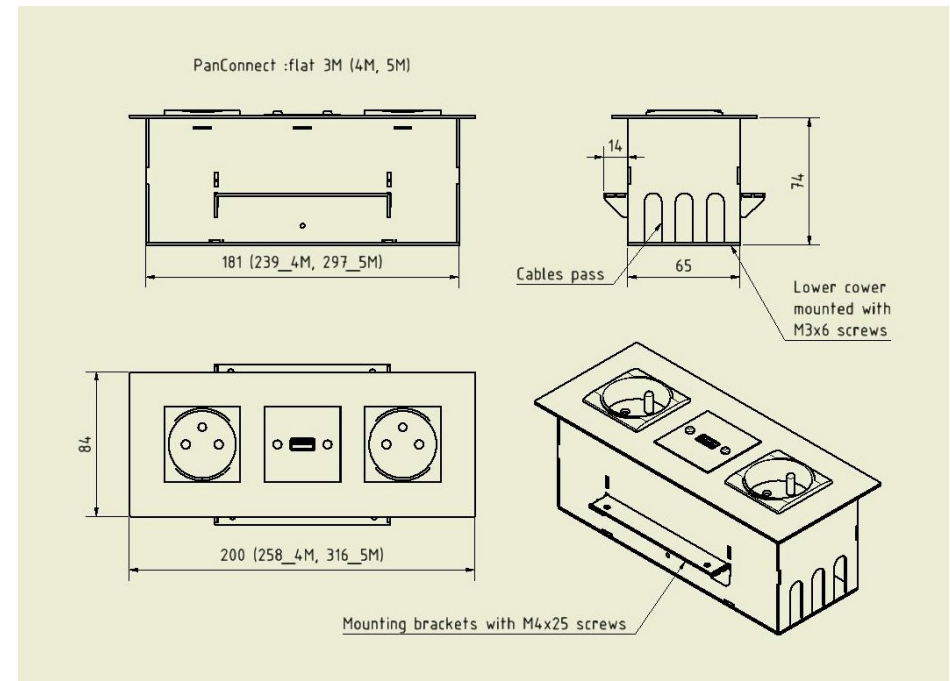
**Step 5:** Verify proper alignment of the interconnection box against the table desk, move them into the right position if need and finally tighten the screws.

#### 2 | Connection

Interconnection boxes PanConnect have 2 covers fastened from below by 4 Pcs. of screws M3x6.

**Step 1:** Unscrew one of the covers and connect the cables or connectors inside the corpus of the connecting panel.

**Step 2:** After connecting, screw the cover back firmly to the corpus of the interconnection box.



#### 3 | Cautions

PanConnect s.r.o. is not responsible for any damage caused on the table. Connection to the low-voltage network can provide a qualified person only. Specifications are subject to change without notice. The surface of the box can be cleaned with non-alcohol based cleaner.



**PanConnect s.r.o., Křížkova 36, Praha 8, 186 00**

[www.panconnect.eu](http://www.panconnect.eu), [info@panconnect.eu](mailto:info@panconnect.eu)

+420 513 033 016, +420 734 446 205